

## AV-26A Bronze Angle Check Valve (Screwed Ends)

### Features

Screwed in Cover, Renewable Seat, Angle pattern, Screwed female parallel threads as per BS-21

### Test Pressure

Body : 300 Psig (Hyd.)

Seat : 150 Psig (Hyd.)

### Note

Other Screwed End Specification can be provided on request.

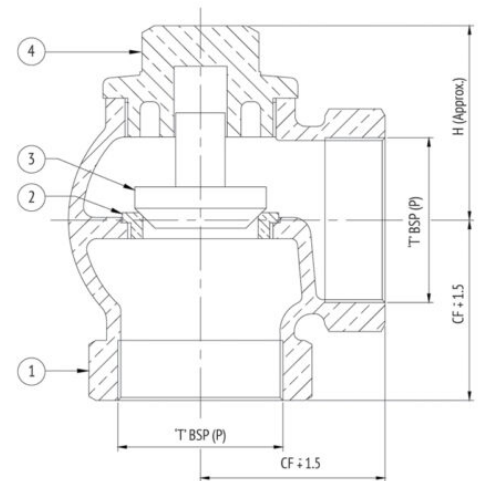
### Suitability

Water, Steam, Oil



### Material Combination

P.No.	Name of Part	Material	Specification	Nos.
1	Body	Bronze	BS 1400 LG2	1
2	Body Seat Ring	Stainless Steel	ASTM A276 TYPE 410	1
3	Disc	Stainless Steel	ASTM A276 TYPE 410	1
4	Cover	Bronze	BS 1400 LG2	1



### Dimensional Data

Nominal Size	CF	T	H
15	27	1/2"	32
20	32	3/4"	36
25	38	1"	42
32	46	1.1/4"	53
40	51	1.1/2"	55
50	58	2"	68