

## AV-303 Drop Forged Steel Globe Valve, Screwed Ends, Class-800

### Features

Product Standard	API 602 / BS EN-15761
Testing Standard	API-598
Pressure / Class Rating	Class-800
Body Material Cum Standard	Forged Carbon Steel (ASTM A105)
Product Description	Standard Bore, Bolted Bonnet, Outside Screw & Yoke Type, Rising Stem with Backseat Arrangement, Handwheel Operated
Type of Seat	Renewable Seat
Type of Disc	Renewable Disc
Trim	13% Cr. (SS 410)
End Details	Screwed Female NPT Threads (ASME B-1.20.1)
Test Pressure	Body: 207 Bar (Hyd.), Seat & Back Seat: 152 Bar (Hyd.), Seat: 7 Bar (Air)
Max. Working Temperature	425°C



### Notes

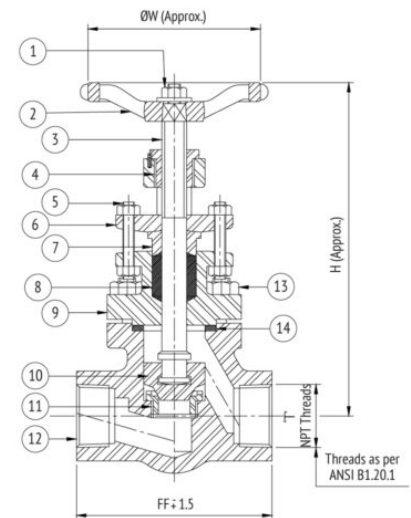
Test Certificate in Form III-C as per IBR is furnished with every supply.

### Suitability

Water, Steam, Oil

### Material Combination

S.No	Description	No.	Material
1	Handwheel Retaining Nut	1	Carbon Steel
2	Handwheel	1	M.I.
3	Stem	1	Stainless Steel
4	Yoke Sleeve	1	Stainless Steel
5	Stud Bolts & Nuts	1	Alloy Steel / H.T. Steel
6	Gland Flange	1	Forged Carbon Steel
7	Gland Follower	1	Stainless Steel
8	Gland Packing	-	Flexible Graphite
9	Bonnet	1	Forged Carbon Steel
10	Disc	1	Stainless Steel
11	Body Seat Ring	1	Stainless Steel
12	Body	1	Forged Carbon Steel
13	Stud Bolts & Nuts	1	Alloy Steel / H.T. Steel
14	Gasket	1	Spiral Wound S.S. 304 Graphoil



### Dimensional Data

Size (mm)	FF	H	ØW	T
10	80	140	80	3/8"
15	80	153	80	1/2"
20	88	157	80	3/4"
25	100	176	90	1"
32	145	240	152	1.1/4"
40	145	240	152	1.1/2"
50	170	275	152	2"