

AV-307 F.C.S (A105) Gate Valve, Class-1500

Features

Standard Bore, Bolted Bonnet, O/S & Yoke Type, Rising Stem, Solid Wedge, SS Trim
Socket Welded Ends as per Asme B-16.11
Product Standard : API-602/ EN-15761

Test Pressure

Body : 384 Bar (Hyd.)
Seat : 281 Bar (Hyd.)
Testing Standard : BSEN-12266-1

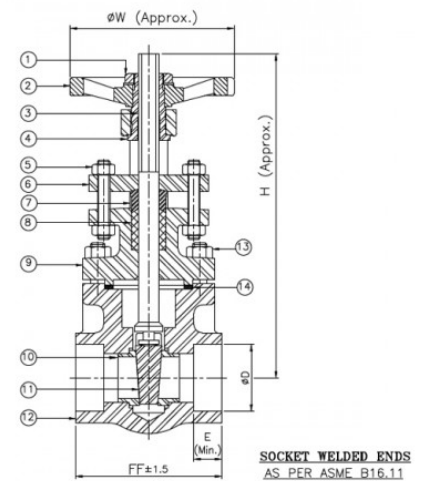
Suitability

Water, Steam, Oil



Material Combination

P.No.	Name of Part	Material	Specification
		A105	A105
1	Handwheel Retaining Nut	Carbon Steel	-
2	Handwheel	M.I.	ASTM A338
3	Stem	Stainless Steel	ASTM A276 TYPE 410
4	Yoke Sleeve	Stainless Steel	ASTM A276 TYPE 410/ ASTM A582 TYPE 416
5	Stud Bolts & Nuts	Alloy Steel/ H.T. Steel	ASTM A193 Gr. B7/ ASTM A194 Gr. 2H
6	Gland Flange	Forged Carbon Steel	ASTM A105
7	Gland Follower	Stainless Steel	ASTM A276 TYPE 410
8	Gland Packing	Flexible Graphite	-
9	Bonnet	Forged Carbon Steel	ASTM A105
10	Body Seat Ring	Stainless Steel	ASTM A182 Gr. F6a/ ASTM A276 TYPE 410
11	Wedge	Stainless Steel	ASTM A182Gr. F6a/ ASTM A276 TYPE 410
12	Body	Forged Carbon Steel	ASTM A105
13	Stud Bolts & Nuts	Alloy Steel/ H.T. Steel	ASTM A193 Gr. B7/ ASTM A194 Gr. 2H
14	Gasket	Spiral Wound S.S. 304 Graphoil Filler	-



Dimensional Data

Nominal Size (mm)	FF ± 1.5	H	ϕW	ϕD	E (Min.)
15	100	175	80	21.8/22.2	9.5
20	100	180	80	27.2/27.6	12.5
25	104	220	152	33.9/34.3	12.5
40	116	240	152	48.8/49.2	12.5