

AV-70 Bronze Angle Wheel Valve (Screwed Ends)

Features

Right Angle Pattern, Screwed in Bonnet, Inside Screw, Rising Stem, Integral Seat, Handwheel Operated, Screwed Female BSP Threads to BS-21

Test Pressure

Body : 300 Psig (Hyd.)

Seat : 200 Psig (Hyd.)

Testing Standard

BS EN 12266 Part-1

Note

Other Screwed End Specification can be provided on request.

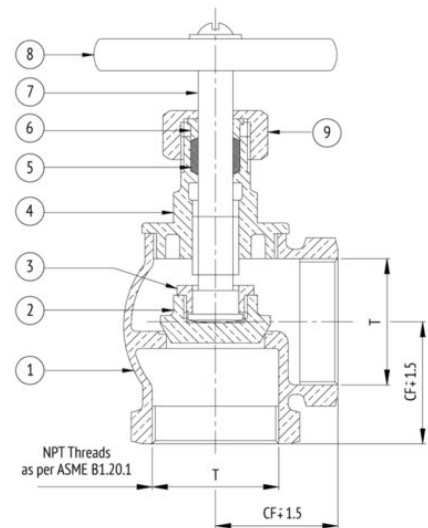
Suitability

Water, Oil



Material Combination

P.No.	Name of Part	Material	Specification
1	Body	Bronze	BS 1400 LG2
2	Disc	Bronze	BS 1400 LG2
3	Disc Nut	Bronze	BS 1400 LG2
4	Bonnet	Bronze	BS 1400 LG2
5	Gland Packing	Graphited Asbestos	-
6	Gland	Bronze / Brass	BS 1400 LG2
7	Stem	Brass	IS 6912 Gr. FLB
8	Handwheel	C.I.	BS 1452 Gr. 220
9	Gland Nut	Bronze	BS 1400 LG2



Dimensional Data

Nominal Size (mm)	CF	T
15	27	1/2"
20	32	3/4"
25	38	1"
32	46	1.1/4"
40	51	1.1/2"
50	58	2"