


IC-51 Investment Casting Stainless Steel (CF8) Horizontal Lift Check Valve No. 4, Screwed Ends,

PN-16 

Features

| | |
|----------------------------|--|
| Pressure / Class Rating | PN-16 |
| Body Material Cum Standard | Cast Stainless Steel (ASTM A351 Gr. CF8) |
| Product Description | Screwed in Cover |
| Type of Seat | Integral Seat |
| Type of Disc | Renewable Guided Disc |
| Trim | Stainless Steel (Type 304) |
| End Details | Screwed Female BSP Parallel Threads (BS-21) |
| Test Pressure | Body: 350 Psig (Hyd.), Seat: 255 Psig (Hyd.) |
| Application Medium | Food Processing |

Notes

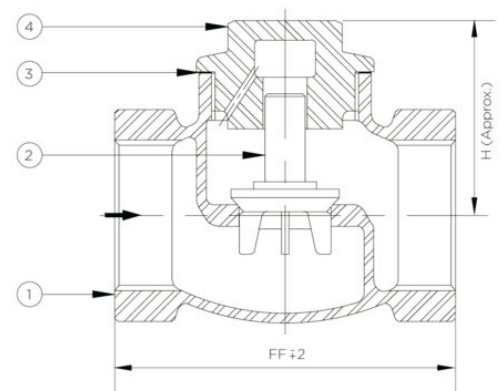
Also available in CF8M (SS 316)
Other screwed end specifications can be provided on request.

Suitability

Water, Steam, Oil

Material Combination

| S.No | Description | No. | Material |
|------|---------------|-----|----------------------|
| 1 | Body | 1 | Cast Stainless Steel |
| 2 | Disc (Guided) | 1 | Stainless Steel |
| 3 | Gasket | 1 | PTFE |
| 4 | Cover | 1 | Cast Stainless Steel |



Dimensional Data

| Size (mm) | Size (inches) | FF | H |
|-----------|---------------|----|----|
| 15 | 1/2" | 49 | 37 |
| 20 | 3/4" | 55 | 40 |
| 25 | 1" | 67 | 45 |
| 32 | 1.1/4" | 76 | 50 |
| 40 | 1.1/2" | 82 | 55 |
| 50 | 2" | 99 | 65 |