

IC-132 Cast Stainless Steel (CF8) Compact Pressure Reducing Valve, Screwed Ends, PN-16

Features

Body Material	Cum Standard	Cast Stainless Steel (ASTM A351 Gr. CF8) (SS 304)
Product Description		Compact Size, Diaphragm Type
End Details		Screwed Female BSP Parallel Threads (BS-21)
Test Pressure		Body : 24 kg/cm ² (Hyd.)
Max. Working Pressure		Max. Inlet Pressure : 16 kg/cm ² , Outlet Pressure Range : 1.5 - 5 kg/cm ²
Max. Working Temperature		45°C
<ul style="list-style-type: none"> · Diaphragm Type - With in-built screen mesh to prevent dirt particles from entering internal parts, with easy attachment - no need to remove the valve from pipeline for cleaning screen. · With transparent bottom cap, dirt particles can be easily seen. · In-built provision of installation of pressure gauge. · Easy to operate and adjust. · Constant set outlet pressure, irrespective of inlet pressure fluctuations in the line. 		



Suitability

Water

Material Combination

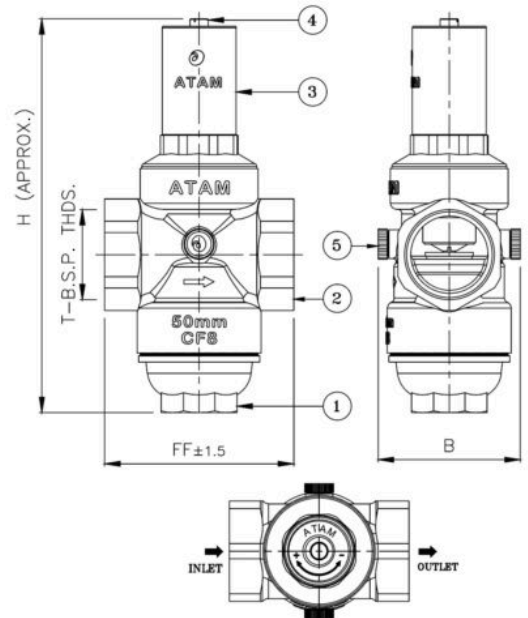
S.No	Description	No.	Material	Specifications
1	Bottom Cap	1	Thermo Plastic	Transparent
2	Body	1	C.S.S.	ASTM A351 Gr. CF8 (SS 304)
3	Bonnet	1	Nylon 6 Based	-
4	Adjusting Screw	1	Stainless Steel	AISI 304
5	Plug	1	Nylon 6 Based	-

Internal Components :

Diaphragm & Seals - Nitrile

Internal Valve Disc Cartridge - High Quality Engineered Plastic

Filter Screen Mesh & Spring - S.S. (AISI 304)



Dimensional Data

Size (mm)	Size (inches)	FF	H	B
15	1/2"	74	140	77
20	3/4"	78	140	77
25	1"	98	170	86
32	1.1/4"	102	170	86
40	1.1/2"	120	260	94
50	2"	125	260	94