

## FV-512 C.S.S. Investment Casting Ball Valve

### Features

One Piece Design, Reduced Bore, Renewable Seat, SS 316 Trim  
Screwed Female Ends to BSP Threads (BS-21)

### Test Pressure

1000 Psi g (Hyd.)

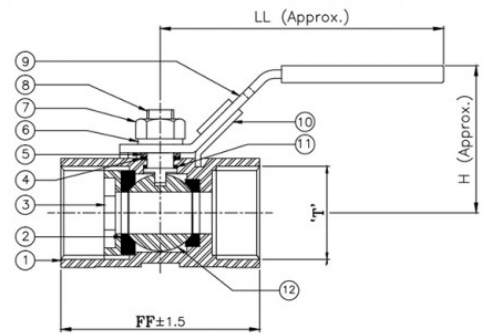
### Suitability

Water, Steam, Gas, Oil, Air



### Material Combination

| P.No. | Name of Part   | Material        | Specification      |
|-------|----------------|-----------------|--------------------|
| 1     | Body           | C.S.S.          | ASTM A351 Gr. CF8M |
| 2     | Seat           | PTFE            | -                  |
| 3     | Seat Retainer  | C.S.S.          | ASTM A351 Gr. CF8M |
| 4     | Packing Ring   | PTFE            | -                  |
| 5     | Gland          | Stainless Steel | ASTM A276 TYPE 316 |
| 6     | Washer         | Stainless Steel | AISI 316           |
| 7     | Nut            | Stainless Steel | ASTM A276 TYPE 316 |
| 8     | Stem           | Stainless Steel | ASTM A276 TYPE 316 |
| 9     | Lever          | Stainless Steel | (PVC Coated)       |
| 10    | Locking Device | Stainless Steel | AISI 316           |
| 11    | Stem Seal      | PTFE            | -                  |
| 12    | Ball           | C.S.S.          | ASTM A351 Gr. CF8M |



### Dimensional Data

| Nominal Size (mm) | FF ±1.5 | H  | LL  |
|-------------------|---------|----|-----|
| 15                | 57      | 45 | 100 |
| 20                | 59      | 50 | 110 |
| 25                | 71      | 55 | 135 |
| 32                | 78      | 62 | 135 |
| 40                | 83      | 65 | 160 |
| 50                | 100     | 76 | 160 |