

## AV-223 Bronze Fusible Plug (One Piece Design)

### Features

One Piece design  
Screwed Male BSP Taper Threads (BS-21)

### Test Pressure

Body : 500 Psig (Hyd.)  
Max. Steam Working Pressure : 250 Psig  
Max. Working Temp. : 250°C

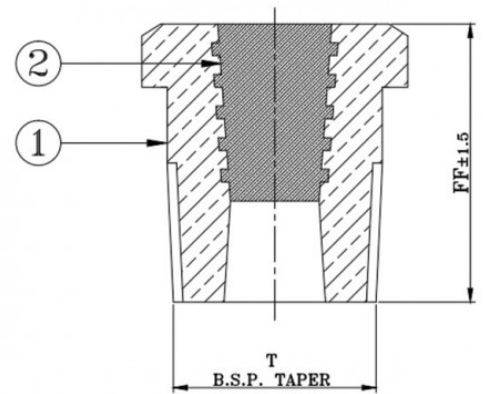
### Suitability

Steam



### Material Combination

| P.No. | Name of Part  | Material      | Specification                                 |
|-------|---------------|---------------|---|
| 1     | Body          | Bronze        | IBR 282 (a) (iv) Gr. B / BSEN 1982 Gr. CC491K |
| 2     | Fusible Alloy | Pb. Sn. Alloy | IBR 333                                       |



### Dimensional Data

| Nominal Size (mm) | FF ±1.5 | T    |
|-------------------|---------|------|
| 15                | 32      | 1/2" |
| 20                | 38      | 3/4" |
| 25                | 44      | 1"   |