

AV-227 Gun Metal Vertical Non Return Valve (Two Piece Design)

Features

Screwed Female BSP Taper Threads BS 21

Test Pressure

Body : 500 Psig (Hyd.)

Max. B.O.P. : 250 Psig (Steam)

Max. Working Temp. : 220°C

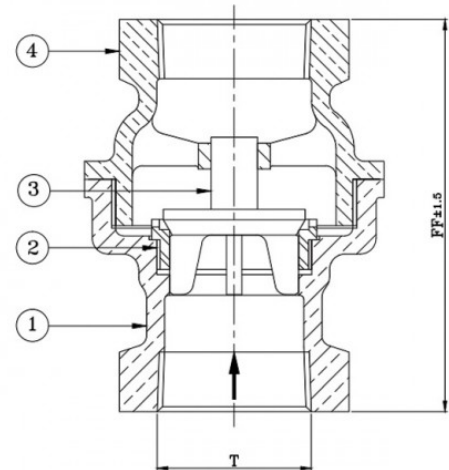
Suitability

Water, Steam, Oil



Material Combination

P.No.	Name of Part	Material	Specification
1	Inlet Body	Bronze	IBR 282 (a) (iv) Gr. B / BSEN 1982 Gr. CC 491 K
2	Body Seat Ring	Stainless Steel	ASTM A276 Type 410
3	Disc	Stainless Steel	ASTM A276 Type 410 / ASTM A217 Gr. CA 15
4	Outlet Body	Bronze	IBR 282 (a) (iv) Gr. B / BSEN 1982 Gr. CC 491 K



Dimensional Data

Nominal Size (mm)	FF ±1.5	T
15	73	1/2"
20	83	3/4"
25	97	1"
32	120	1 1/4"
40	127	1 1/2"
50	157	2"