

## AV-304 F.C.S. (A105) Globe Valve, Class-800

### Features

Reduced Bore, Bolted Bonnet, O/S & Yoke Type, Rising Stem, Renewable Seat & Plug Type Disc, SS Trim  
Socket Welded Ends as Per ASME B-16.11  
Product Standard : API-602/ BSEN-15761

### Test Pressure

Body - 207 Bar (Hyd.)  
Seat - 152 Bar (Hyd.)  
Testing Standard : API-598/ BSEN-12266-1

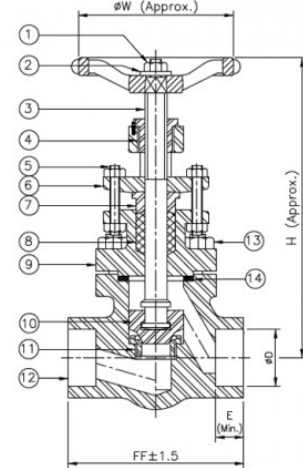
### Suitability

Water, Steam, Oil



### Material Combination

P.No.	Name of Part	Material	Specification
		A105	A105
1	Nut	Carbon Steel	-
2	Handwheel	M.I.	ASTM A338
3	Stem	Stainless Steel	ASTM A276 TYPE 410
4	Yoke Sleeve	Stainless Steel	ASTM A276 TYPE 410
5	Stud Bolts & Nuts	Alloy Steel, H.T. Steel	ASTM A193 Gr.B7, ASTM A194 Gr.2H
6	Gland Flange	Forged Carbon Steel	ASTM A105
7	Gland Follower	Stainless Steel	ASTM A276 TYPE 410
8	Gland Packing	Flexible Graphite	-
9	Bonnet	Forged Carbon Steel	ASTM A105
10	Disc	Stainless Steel	ASTM A182 Gr. F6a/ ASTM A276 TYPE 410
11	Body Seat Ring	Stainless Steel	ASTM A182 Gr. F6a/ ASTM A276 TYPE 410
12	Body	Forged Carbon Steel	ASTM A105
13	Stud Bolts & Nuts	Alloy Steel, H.T. Steel	ASTM A193 Gr. B7/ ASTM A194 Gr. 2H
14	Gasket	S.S. 304 Graphoil Filler	-



### Dimensional Data

Nominal Size (mm)	FF ±1.5	H	ØW	ØD	E
10	80	140	80	17.6/18.0	9.5
15	80	153	80	21.8/22.2	9.5
20	88	157	80	27.2/27.6	12.5
25	100	176	90	33.9/34.3	12.5
32	145	240	152	42.7/43.1	12.5
40	145	240	152	48.8/49.2	12.5
50	170	275	152	61.2/61.7	16