

AV-105 Bronze Globe Valve (Screwed Ends) Class-1

Features

Screwed in Bonnet, Inside Screw, Rising Stem, Integral Seat, Screwed Ends

Test Pressure

Body : 1.5 MPa (Hyd.)

Seat : 1.0 MPa (Hyd.)

Max. Working Pressure : 1.0 MPa at 45°C

Testing Standard

IS-778

Note

Other Screwed End Specification can be provided on request.

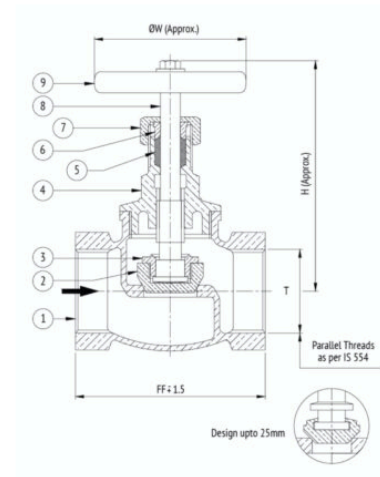
Suitability

Water, Oil



Material Combination

P.No.	Name of Part	Material	Specification
1	Body	Bronze	IS 318 Gr. LTB2
2	Disc	Bronze	IS 318 Gr. LTB2
3	Disc Nut	Bronze	IS 318 Gr. LTB2
4	Bonnet	Bronze	IS 318 Gr. LTB2
5	Packing	Asbestos	-
6	Gland	Bronze / Brass Rod	IS 318 Gr. LTB2 / IS 319 Type I/II
7	Gland Nut	Bronze	IS 318 Gr. LTB2
8	Stem	H.T. Brass	IS 6912 Gr.FLB/ IS 320
9	Handwheel	Cast Iron / Steel	IS 210 Gr. FG 200 / -



Dimensional Data

Nominal Size (mm)	FF	H	ØW	T
15	60	95	53	1/2"
20	70	100	58	3/4"
25	80	105	67	1"
32	95	130	79	1.1/4"
40	110	135	87	1.1/2"
50	125	160	98	2"
65	160	175	104	2.1/2"
80	180	215	140	3"
100	216	260	183	4"