

AV-220 Bronze Thermodynamic Steam Trap

Features

Stainless Steel Trim and Stainless Steel Strainer
Screwed Female BSP Taper Threads BS 21

Test Pressure

Body : 500 Psig (Hyd.)
Max. Steam Working Pressure : 250 Psig at 225°C

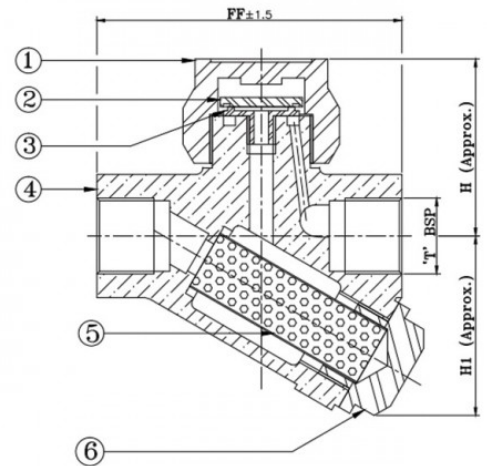
Suitability

Steam



Material Combination

P.No.	Name of Part	Material	Specification
1	Top Nut	Stainless Steel	AISI 410
2	Disc	Stainless Steel	AISI 410
3	Seat	Stainless Steel	AISI 410
4	Body	Bronze	IBR Clause 282 (a) (IV) Gr. B
5	Screen	Stainless Steel	TYPE 304
6	Cover	Stainless Steel	AISI 410



Dimensional Data

Nominal Size (mm)	FF ± 1.5	T	H	H1
15	83	1/2"	60	56
20	95	3/4"	60	62
25	117	1"	70	76