

AV-290 (CF8M) C.S.S. Swing Check Valve, Class-150

Features

Bolted Cover, Renewable Seat, SS 316 Trim
Flanges as per ASME B16.5, Class-150 RF (Drilled)
Product Standard: BS-1868

Test Pressure

Body : 30 Bar (Hyd.)
Seat : 22 Bar (Hyd.)
Testing Standard : BSEN-12266-1

Suitability

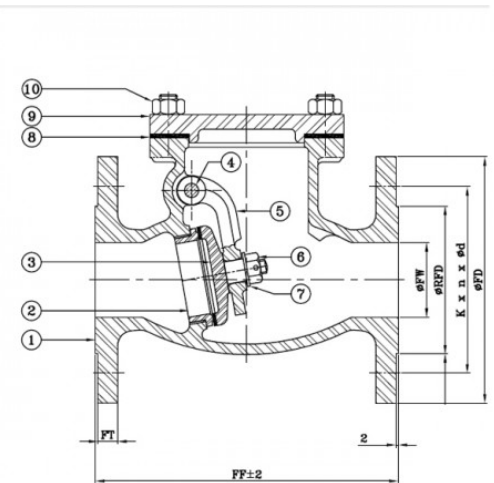
Water, Steam, Oil



Material Combination

P.No.	Name of Part	Material	Specification
1	Body	C.S.S	ASTM A351 Gr. CF8M
2	Body Seat Ring	S.S./ F.S.S./ C.S.S.	ASTM A276 TYPE 316/ ASTM A182 Gr. F316/ ASTM A351 Gr. CF8M
3	Disc	C.S.S.	ASTM A351 Gr. CF8M
4	Hinge Pin	S.S.	ASTM A276 TYPE 316
5	Hinge	C.S.S.	ASTM A351 Gr. CF8M
6	Nut	S.S.	AISI-316
7	Washer	Carbon Steel	-
8	Gasket	Spiral Wound S.S. 316 with Graphite Filler Inner Ring	-
9	Cover	C.S.S.	ASTM A351 Gr. CF8M
10	Stud & Nuts	Alloy Steel/ H.T. Steel	ASTM A193 Gr. B7/B8/ ASTM A194 Gr. 2H/8

NOTE : 1. This item can be supplied in WC6, WC9 material also.



Dimensional Data

Nominal Size (mm)	FF	ØFW	FT	ØRFD	ØFD	K	n	Ød
40	165 ±2	38	12.7	73	125	98.4	4	5/8"
50	203 ±2	51	14.3	92.1	150	120.7	4	3/4"
65	216 ±2	64	15.9	104.8	180	139.7	4	3/4"
80	241 ±2	76	17.5	127	190	152.4	4	3/4"
100	292 ±2	102	22.3	157.2	230	190.5	8	3/4"
125	330 ±2	127	22.3	185.7	255	215.9	8	7/8"
150	356 ±2	152	23.9	215.9	280	241.3	8	7/8"
200	495 ±2	203	27	269.9	345	298.5	8	7/8"
250	622 ±2	254	28.6	323.8	405	362	12	1"
300	698 ±3	305	30.2	381	485	431.8	12	1"
350	787 ±3	337	33.4	412.8	535	476.3	12	1.1/8"
400	864 ±3	387	35	469.9	595	539.8	16	1.1/8"
450	978 ±3	438	38.1	533.4	635	577.9	16	1.1/4"
500	978 ±3	489	41.3	584.2	700	635	20	1.1/4"
600	1295 ±3	591	46.1	692.1	815	749.3	20	1.3/8"

k - P.C.D; n - Number of Holes; Ød - Diameter of Holes