

## AV-290A (CF8M) C.S.S. Swing Check Valve, Class-300

### Features

Bolted Cover, Renewable Seat, SS 316 Trim  
Flanges as per ASME B16.5, Class-300 RF (Drilled)  
Product Standard: BS-1868

### Test Pressure

Body : 76 Bar (Hyd.)  
Seat : 55 Bar (Hyd.)  
Testing Standard : BSEN-12266-1

### Suitability

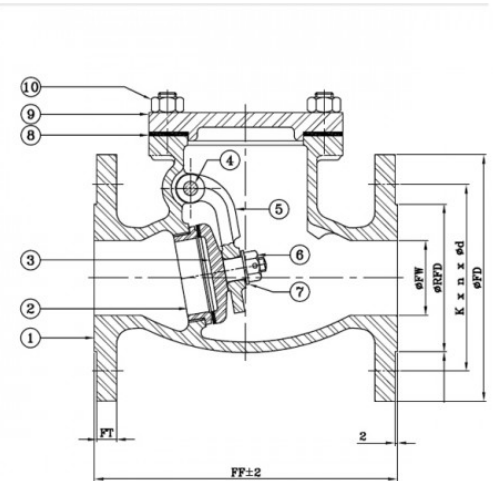
Water, Steam, Oil



### Material Combination

P.No.	Name of Part	Material	Specification
1	Body	C.S.S	ASTM A351 Gr. CF8M
2	Body Seat Ring	S.S./ F.S.S./ C.S.S.	ASTM A276 TYPE 316/ ASTM A182 Gr. F316/ ASTM A351 Gr. CF8M
3	Disc	C.S.S.	ASTM A351 Gr. CF8M
4	Hinge Pin	S.S.	ASTM A276 TYPE 316
5	Hinge	C.S.S.	ASTM A351 Gr. CF8M
6	Nut	S.S.	AISI-316
7	Washer	Carbon Steel	-
8	Gasket	Spiral Wound S.S. 316 with Graphite Filler Inner Ring	-
9	Cover	C.S.S.	ASTM A351 Gr. CF8M
10	Stud & Nuts	Alloy Steel/ H.T. Steel	ASTM A193 Gr. B7/B8/ ASTM A194 Gr. 2H/8

NOTE : 1. This item can be supplied in WC6, WC9 material also.



### Dimensional Data

Nominal Size (mm)	FF	ØFW	ØRFD	ØFD	FT	K	n	Ød
40	241 ±2	38	73	155	19.1	114.3	4	7/8"
50	267 ±2	51	92.1	165	20.7	127	8	3/4"
65	292 ±2	64	104.8	190	23.9	149.2	8	7/8"
80	318 ±2	76	127	210	27	168.3	8	7/8"
100	356 ±2	102	157.2	255	30.2	200	8	7/8"
125	400 ±2	127	185.7	280	33.4	235	8	7/8"
150	444 ±2	152	215.9	320	35	269.9	12	7/8"
200	533 ±2	203	269.9	380	39.7	330.2	12	1"
250	622 ±2	254	323.8	445	46.1	387.4	16	1.1/8"
300	711 ±3	305	381	520	49.3	450.8	16	1.1/4"
350	838 ±3	337	412.8	585	52.4	514.4	20	1.1/4"
400	864 ±3	387	469.9	650	55.6	571.5	20	1.3/8"
450	978 ±3	432	533.4	710	58.8	628.6	24	1.3/8"
500	1016 ±3	483	584.2	775	62	685.8	24	1.3/8"
600	1346 ±3	584	692.2	915	68.3	812.8	24	1.5/8"

k - P.C.D; n - Number of Holes; Ød - Diameter of Holes