

AV-290B (CF8M) C.S.S. Swing Check Valve, Class-600

Features

Bolted Cover, Renewable Seat, SS 316 Trim
Flanges as per ASME B16.5, Class-600 RF (Drilled)
Product Standard: BS-1868

Test Pressure

Body : 153 Bar (Hyd.)
Seat : 112 Bar (Hyd.)
Testing Standard : BSEN-12266-1

Suitability

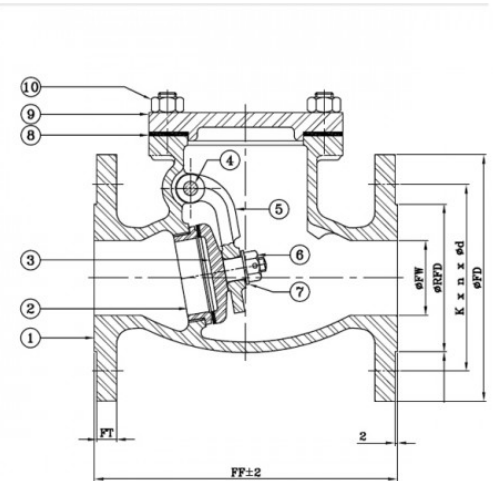
Water, Steam, Oil



Material Combination

P.No.	Name of Part	Material	Specification
1	Body	C.S.S	ASTM A351 Gr. CF8M
2	Body Seat Ring	S.S./ F.S.S./ C.S.S.	ASTM A276 TYPE 316/ ASTM A182 Gr. F316/ ASTM A351 Gr. CF8M
3	Disc	C.S.S.	ASTM A351 Gr. CF8M
4	Hinge Pin	S.S.	ASTM A276 TYPE 316
5	Hinge	C.S.S.	ASTM A351 Gr. CF8M
6	Nut	S.S.	AISI-316
7	Washer	Carbon Steel	-
8	Gasket	Spiral Wound S.S. 316 with Graphite Filler Inner Ring	-
9	Cover	C.S.S.	ASTM A351 Gr. CF8M
10	Stud & Nuts	Alloy Steel/ H.T. Steel	ASTM A193 Gr. B7/B8/ ASTM A194 Gr. 2H/8

NOTE : 1. This item can be supplied in WC6, WC9 material also.



Dimensional Data

Nominal Size (mm)	FF ±2	ØFW	ØFD	ØRFD	FT	k	n	Ød
40	241	38	155	73	22.3	114.3	4	7/8"
50	292	51	165	92.1	25.4	127	8	3/4"
65	330	64	190	104.8	28.6	149.2	8	7/8"
80	356	76	210	127	31.8	168.3	8	7/8"
100	432	102	275	157.2	38.1	215.9	8	1"
125	508	127	330	185.7	44.5	266.7	8	1.1/8"
150	559	152	355	215.9	47.7	292.1	12	1.1/8"
200	660	200	420	269.9	55.6	349.2	12	1.1/4"
250	787	248	510	323.8	63.5	431.8	16	1.3/8"

k - P.C.D; n - Number of Holes; Ød - Diameter of Holes