

AV-309A F.S.S. (F304) Horizontal Lift Check Valve, Class-1500

Features

Standard Bore, Bolted Cover, Renewable Disc, SS 304 Trim
Socket Welded Ends as per ASME b-16.11
Product Standard : API-602/ EN-15761

Test Pressure

Body : 384 Bar (Hyd.)
Seat : 281 Bar (Hyd.)
Testing Standard : BSEN-12266-1

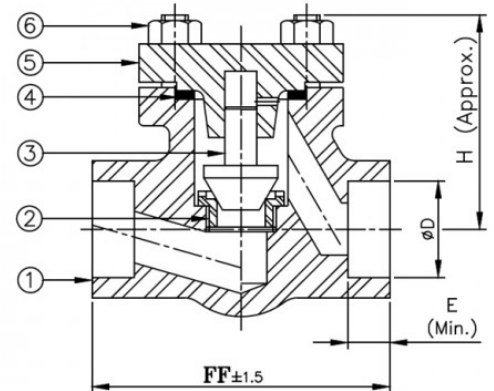
Suitability

Water, Steam, Oil



Material Combination

P.No.	Name of Part	Material	Specification
1	Body	Forged Stainless Steel	ASTM A182 F304
2	Body Seat Ring	Stainless Steel	ASTM A182 F304, ASTM A276 TYPE 304
3	Disc	Stainless Steel	ASTM A182 F304, ASTM A276 TYPE 304
4	Gasket	Spiral Wound S.S. 304 Graphoil Filler	-
5	Cover	Forged Stainless Steel	ASTM A182 F304
6	Stud Bolts & Nuts	Stainless Steel	ASTM A193 Gr.B8 & ASTM A194 Gr.8



SOCKET WELDED ENDS.
AS PER ASME B16.11

Dimensional Data

Nominal Size (mm)	FF ±1.5	H	ØD	E (Min.)
15	100	85	21.8/22.2	9.5
20	145	95	27.2/27.6	12.5
25	145	97	33.9/34.3	12.5
32	170	118	42.7/43.1	12.5
40	170	122	48.8/49.2	12.5