

## AV-309B F.S.S. (F316) Horizontal Lift Check Valve, Class-1500

### Features

Standard Bore, Bolted Cover, Renewable Disc, SS 316 Trim  
Socket Welded Ends as per ASME b-16.11  
Product Standard : API-602/ EN-15761

### Test Pressure

Body : 384 Bar (Hyd.)  
Seat : 281 Bar (Hyd.)  
Testing Standard : BSEN-12266-1

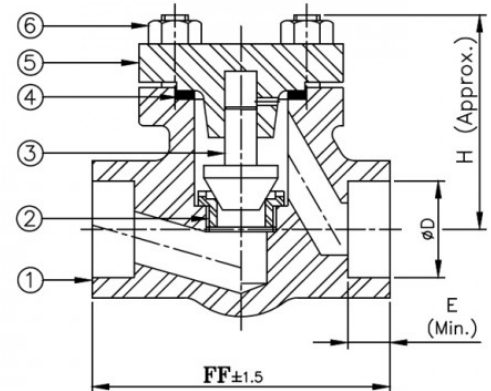
### Suitability

Water, Steam, Oil



### Material Combination

| P.No. | Name of Part      | Material                              | Specification                      |
|-------|-------------------|---------------------------------------|------------------------------------|
| 1     | Body              | Forged Stainless Steel                | ASTM A182 F316                     |
| 2     | Body Seat Ring    | Stainless Steel                       | ASTM A182 F316, ASTM A276 TYPE 316 |
| 3     | Disc              | Stainless Steel                       | ASTM A182 F316, ASTM A276 TYPE 316 |
| 4     | Gasket            | Spiral Wound S.S. 316 Graphoil Filler | -                                  |
| 5     | Cover             | Forged Stainless Steel                | ASTM A182 F316                     |
| 6     | Stud Bolts & Nuts | Stainless Steel                       | ASTM A193 Gr.B8 & ASTM A194 Gr.8   |



**SOCKET WELDED ENDS.**  
AS PER ASME B16.11

### Dimensional Data

| Nominal Size (mm) | FF ±1.5 | H   | ØD        | E (Min.) |
|-------------------|---------|-----|-----------|----------|
| 15                | 100     | 85  | 21.8/22.2 | 9.5      |
| 20                | 145     | 95  | 27.2/27.6 | 12.5     |
| 25                | 145     | 97  | 33.9/34.3 | 12.5     |
| 32                | 170     | 118 | 42.7/43.1 | 12.5     |
| 40                | 170     | 122 | 48.8/49.2 | 12.5     |