

## AV-304A F.S.S. (F304) Globe Valve, Class-800

### Features

Reduced Bore, Bolted Bonnet, O/S & Yoke Type, Rising Stem, Renewable Seat & Plug Type Disc,  
SS 304 Trim  
Socket Welded Ends as Per ASME B-16.11  
Product Standard : API-602/ BSEN-15761

### Test Pressure

Body - 207 Bar (Hyd.)  
Seat - 152 Bar (Hyd.)  
Testing Standard : API-598/ BSEN-12266-1

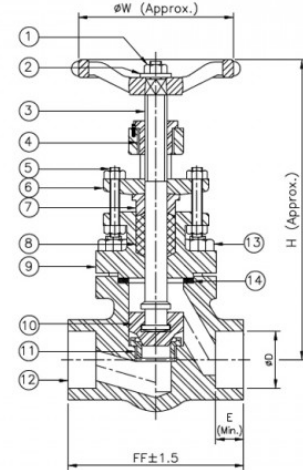
### Suitability

Water, Steam, Oil



### Material Combination

P.No.	Name of Part	Material	Specification
		F304	F304
1	Nut	S.S. 304	-
2	Handwheel	M.I.	ASTM A338
3	Stem	Stainless Steel	ASTM A276 TYPE 304
4	Yoke Sleeve	Stainless Steel	ASTM A276 TYPE 304
5	Stud Bolts & Nuts	Stainless Steel	ASTM A193 Gr. B8 & ASTM A194 Gr. 8
6	Gland Flange	Forged Stainless Steel	ASTM A182 F304
7	Gland Follower	Stainless Steel	ASTM A276 TYPE 304
8	Gland Packing	Flexible Graphite	-
9	Bonnet	Forged Stainless Steel	ASTM A182 F304
10	Disc	Stainless Steel	ASTM A182 F304/ ASTM A276 TYPE 304
11	Body Seat Ring	Stainless Steel	ASTM A182 F304/ ASTM A276 TYPE 304
12	Body	Forged Stainless Steel	ASTM A182 F304
13	Stud Bolts & Nuts	Stainless Steel	ASTM A193 Gr. B8 & ASTM A194 Gr. 8
14	Gasket	Spiral Wound S.S. 304 Graphoil Filler with Inner Ring	-



### Dimensional Data

Nominal Size (mm)	FF ±1.5	H	ØW	ØD	E
10	80	140	80	17.6/18.0	9.5
15	80	153	80	21.8/22.2	9.5
20	88	157	80	27.2/27.6	12.5
25	100	176	90	33.9/34.3	12.5
32	145	240	152	42.7/43.1	12.5
40	145	240	152	48.8/49.2	12.5
50	170	275	152	61.2/61.7	16