

AV-304B F.S.S. (F316) Globe Valve, Class-800

Features

Reduced Bore, Bolted Bonnet, O/S & Yoke Type, Rising Stem, Renewable Seat & Plug Type Disc,
SS 316 Trim
Socket Welded Ends as Per ASME B-16.11
Product Standard : API-602/ BSEN-15761

Test Pressure

Body - 207 Bar (Hyd.)
Seat - 152 Bar (Hyd.)
Testing Standard : API-598/ BSEN-12266-1

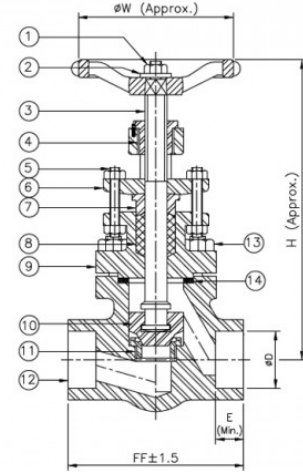
Suitability

Water, Steam, Oil



Material Combination

P.No.	Name of Part	Material	Specification
		F316	F316
1	Nut	S.S. 316	-
2	Handwheel	M.I.	ASTM A338
3	Stem	Stainless Steel	ASTM A276 TYPE 316
4	Yoke Sleeve	Stainless Steel	ASTM A276 TYPE 316
5	Stud Bolts & Nuts	Stainless Steel	ASTM A193 Gr. B8 & ASTM A194 Gr. 8
6	Gland Flange	Forged Stainless Steel	ASTM A182 F316
7	Gland Follower	Stainless Steel	ASTM A276 TYPE 316
8	Gland Packing	Flexible Graphite	-
9	Bonnet	Forged Stainless Steel	ASTM A182 F316
10	Disc	Stainless Steel	ASTM A182 F316, ASTM A276 TYPE 316
11	Body Seat Ring	Stainless Steel	ASTM A182 F316, ASTM A276 TYPE 316
12	Body	Forged Stainless Steel	ASTM A182 F316
13	Stud Bolts & Nuts	Stainless Steel	ASTM A193 Gr. B8 & ASTM A194 Gr. 8
14	Gasket	Spiral Wound S.S. 304 Graphoil Filler with Inner Ring	-



Dimensional Data

Nominal Size (mm)	FF ±1.5	H	ØW	ØD	E
10	80	140	80	17.6/18.0	9.5
15	80	153	80	21.8/22.2	9.5
20	88	157	80	27.2/27.6	12.5
25	100	176	90	33.9/34.3	12.5
32	145	240	152	42.7/43.1	12.5
40	145	240	152	48.8/49.2	12.5
50	170	275	152	61.2/61.7	16