

AV-288B (CF8) C.S.S. Gate Valve, Class-600

Features

Yoke Type, Outside Screw, Rising Stem
Flanges as per ASME B16.5, Class-600 RF (Drilled)
Product Standard: API:09:600:

Test Pressure

Body : 153 Bar (Hyd.)
Back Seat & Seat : 112 Bar (Hyd.)
Seat : 6.9 Bar (Air)
Working Conditions : (Max cold workin pressure 102.1 Bar. Hyd.)
Testing Standard : API 596:09

Suitability

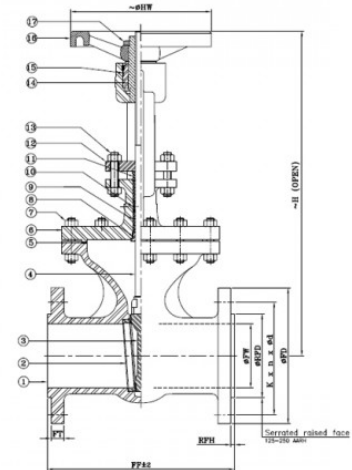
Water, Steam, Oil

Photo Not Available

Material Combination

P.No.	Name of Part	Material	Specification
1	Body	C.S.S	ASTM A351 Gr. CF8
2	Body Seat Ring	C.S.S/F.S.S.	ASTM A351 Gr. CF8/ ASTM A182 Gr. F304
3	Wedge	C.S.S	ASTM A351 Gr. CF8
4	Stem	Stainless Steel	ASTM A276 TYPE 304
5	Gasket	Spiral Wound S.S. 304 Graphoil Filler With Inner Ring	-
6	Bonnet	C.S.S	ASTM A351 Gr. CF8
7	Studs & Nuts	Alloy Steel/ H.T Steel	ASTM A193 Gr. B7/B8/ASTM A194 Gr. 2H/8
8	Back Seat Bush	Stainless Steel	ASTM A276 TYPE 304
9	Gland Packing	Flexible Graphite	-
10	Lantern Ring	Stainless Steel	ASTM A276 TYPE 304
11	Gland Follower	Stainless Steel	ASTM A276 TYPE 304
12	Gland Flange	C.S.S.	ASTM A351 Gr. CF8
13	Gland Studs & Nuts	Alloy Steel/ H.T Steel	ASTM A193 Gr. B7/B8/ASTM A194 Gr. 2H/8
14	Yoke Sleeve	Al. Bronze	BSEN 1982 Gr. CC331G
15	Yoke sleeve Retaining Nut	C.S.S.	ASTM A351 Gr. CF8
16	Handwheel	D.I./ M.I.	ASTM A536 Gr. 80-55-06/ ASTM A338
17	Handwheel Retaining Nut	S.S./ C.S.S	ASTM A276 TYPE 304/ ASTM A351 GR. CF8
18	Gear Box Assembly*	C.I.	-

NOTE : 1. Parts marked with * are optional and are for particular sizes.
2. This item can be supplied in WC6, WC9 material also.

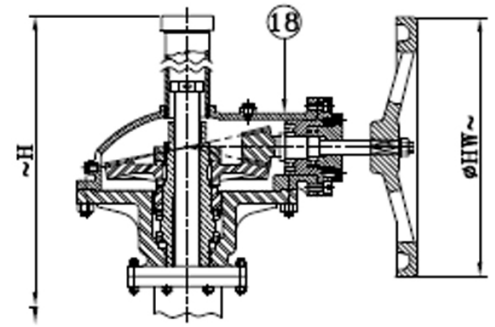


Dimensional Data

Nominal Size (mm)	FF	FT	ØFW	ØRFD	RFH	ØFD	K	n	Ød	ØHW	H
40	241 ±2	22.3	38.1	73	7	155	114.3	4	7/8"	210	410
50	292 ±2	25.4	50.8	92.1	7	165	127	8	3/4"	210	470
65	330 ±2	28.6	63.5	104.8	7	190	149.2	8	7/8"	210	540
80	356 ±2	31.8	76.2	127	7	210	168.3	8	7/8"	254	610
100	432 ±2	38.1	102	157.2	7	275	215.9	8	1"	350	725
125	508 ±2	44.5	127	185.7	7	330	266.7	8	1.1/8"	400	870
150	559 ±2	47.7	153	215.9	7	355	292.1	12	1.1/8"	500	1050

Nominal Size (mm)	FF	FT	ØFW	ØRFD	RFH	ØFD	K	n	Ød	ØHW	H
200	660 ±2	55.6	200	269.9	7	420	349.2	12	1.1/4"	450	1345
250	787 ±2	63.5	247.7	323.8	7	510	431.8	16	1.3/8"	450	1370
300	838 ±3	66.7	298.5	381	7	560	489	20	1.3/8"	450	1645

k - P.C.D; n - Number of Holes; Ød - Diameter of Holes



**GEAR BOX FOR
200mm & ABOVE**