

AV-256 Cast Iron Y-Type Strainer (Flanged Ends)

Features

'Y' Type Strainer with Stainless Steel, Perforated Sheet Screen
Flanges as per BS-10 Table 'F'

Test Pressure

Body : 300 Psig (Hyd.)
Max. Steam working pressure : 150 Psig
Max. Working Temp. : 220°C

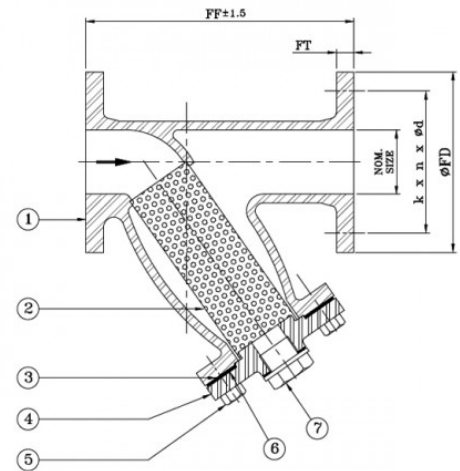
Suitability

Water, Steam, Oil



Material Combination

P.No.	Name of Part	Material	Specification
1	Body	Cast Iron	BSEN 1561 Gr. GJL200 / IBR 86 TO 93 Gr. A
2	Strainer	Stainless Steel	Type 304 (1 mm Dia. Perforation)
3	Gasket	C.A.F.	-
4	Cover	Cast Iron	BSEN 1561 Gr. GJL200 / IBR 86 TO 93 Gr. A
5	Studs & Nuts	Carbon Steel	-
6	Gasket	C.A.F.	-
7	Drain Plug	Cast Iron	BSEN 1561 Gr. GJL200 / IBR 86 TO 93 Gr. A



Dimensional Data

Nominal Size (mm)	FF ±1.5	ØFD	k	n	Ød	FT
25	162	120.7	87.3	4	17.5	12.7
40	206	139.7	104.8	4	17.5	15.9
50	210	165.1	127	4	17.5	19.1
65	248	184.2	146.1	8	17.5	19.1
80	270	203.2	165.1	8	17.5	19.1
100	381	228.6	190.5	8	17.5	22.3
125	416	279.4	235	8	22.3	25.4
150	451	304.8	260.4	12	22.3	25.4
200	523	368.3	323.9	12	22.3	28.6

k - P.C.D; n - Number of Holes; Ød - Diameter of Holes