

AV-258A Cast Iron Accessible Feed Check Valve

Features

Bolted Bonnet, Outside Screw & Yoke Type, Straight Inlet, With Inspection Branch
Flanges as per BS-10 Table 'H' FF

Test Pressure

Body : 300 Psig (Hyd.)
Max. B.O.P. : 150 Psig (Steam)
Max. Working Temp. : 220°C

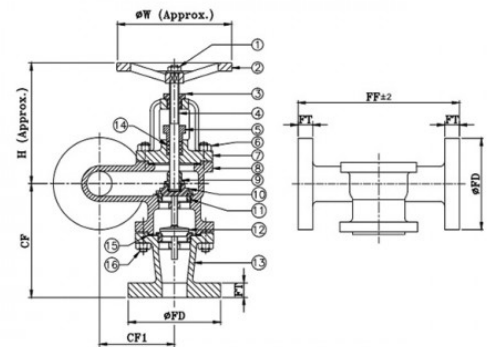
Suitability

Water, Steam



Material Combination

P.No.	Name of Part	Material	Specification
1	Nut	Carbon Steel	-
2	Handwheel	Cast Iron/M.I.	IS 210 Gr. FG200/ -
3	Yoke Bush	Stainless Steel/Al. Bronze	ASTM A276 Type 410 / BSEN 1982 Gr. CC3314
4	Stem	Stainless Steel	ASTM A276 Type 410
5	Gland	Cast Iron	IBR-86 TO 93 Gr. A / IS 210 Gr. FG200
6	Studs and Nuts	Carbon Steel	-
7	Bonnet	Cast Iron	IBR-86 TO 93 Gr. A / IS 210 Gr. FG200
8	Body	Cast Iron	IBR-86 TO 93 Gr. A / IS 210 Gr. FG200
9	Disc Nut	Stainless Steel	ASTM A276 Type 410
10	Disc	Stainless Steel	ASTM A276 Type 410 / ASTM A217 Gr. CA15
11	Body Seat Ring	Stainless Steel	ASTM A276 Type 410
12	Check Valve Disc	Stainless Steel	ASTM A276 Type 410 / ASTM A217 Gr. CA15
13	Inlet Body	Cast Iron	IBR-86 TO 93 Gr. A / IS 210 Gr. FG200
14	Gland Packing	Graphited Asbestos	-
15	Gasket	C.A.F.	-
16	Studs & Nuts	Carbon Steel	-
17	T-Head Bolts & Nuts for Gland (Not Shown)	Carbon Steel	-



Dimensional Data

Nominal Size (mm)	FF ±2	CF ±1	CF1 ±1	H	ØW	ØFD	FT
40	228	173	102	210	175	139.7	22.3
50	254	203	124	230	175	165.1	25.4
65	280	238	140	275	250	184.2	25.4